



Composite Liquid Ring Vacuum Pump

Description: **Composite Liquid Ring Vacuum Pump**

Type: **Flat Plate, Single Stage**

Models: **EH-40**

Power Range: **3 HP**

Capacity Range: **28 CFM**

Max Vacuum: **28" Hg**



Overview:

Our composite liquid ring vacuum pump was developed as an alternative to stainless steel pumps and are ideally suited for applications requiring excellent corrosion resistance at a fraction of the cost of stainless steel. All wet components are constructed of a proprietary plastic composite designed with chemical resistance and longevity in mind. Years of rigorous research and field trials have proven our pumps offer supreme performance and value. This pump is well suited for “wet vacuum” applications with “carry over” of liquid and/or entrained solids may occur.

Features:

- Excellent corrosion resistance.
- Contactless operation with little frictional wear.
- Close-coupled design eliminates alignment need.
- Inlet temperatures up to 195 F.
- Seal water up to 160 F.
- Mechanical seal standard.
- 1 year factory warranty.

Materials of Construction:

- Housing & Head - Engineered composite.
- Rotor - Engineered composite.
- Port Plate - Engineered composite.
- Motor - 230/460/3/60 volt IEC TEFC enclosure.
- Seal – Viton mechanical seal.

Applications:

- | | | |
|--------------|--------------------|---------------------|
| • Autoclaves | • Chucking | • Container Filling |
| • Forming | • Cooking | • Dewatering |
| • Drying | • Evaporating | • Eviscerating |
| • Exhausting | • Extruder Venting | • Fiber Setting |
| • Filtering | • Forming | • Gas Stripping |
| • Priming | • Slot Extraction | • Solvent Recovery |

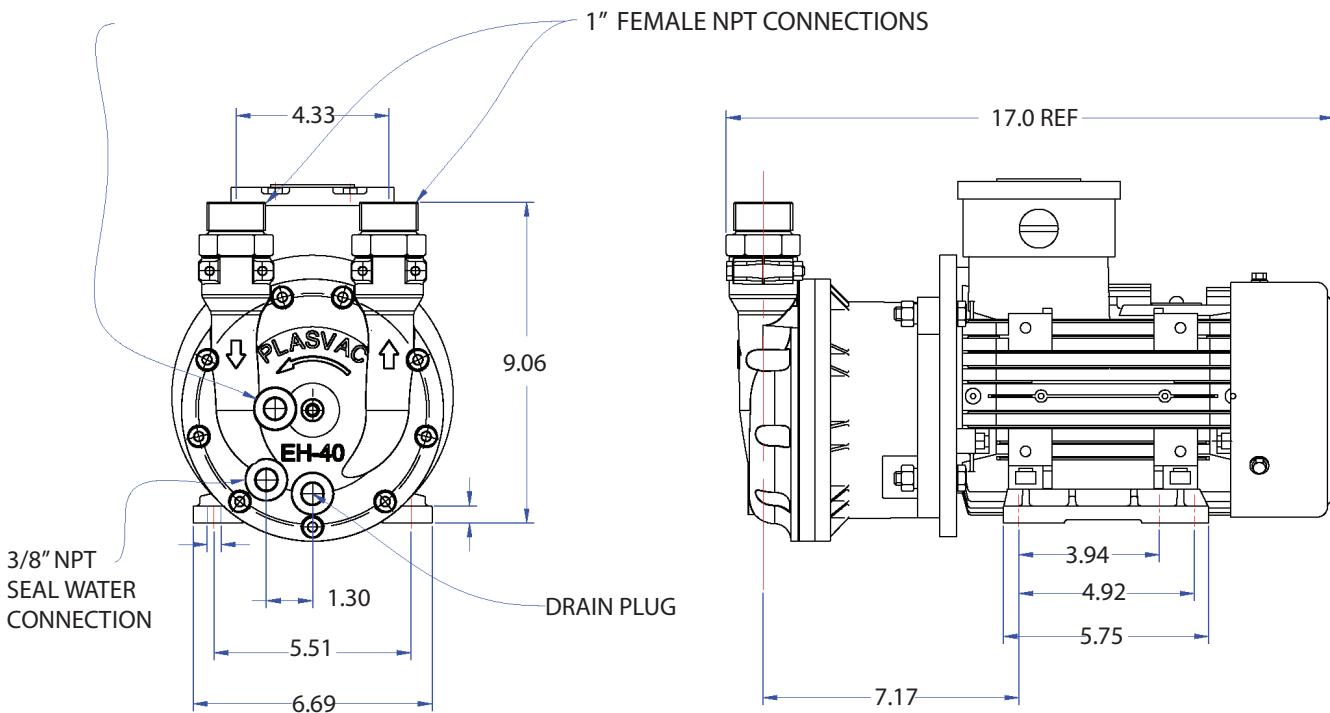
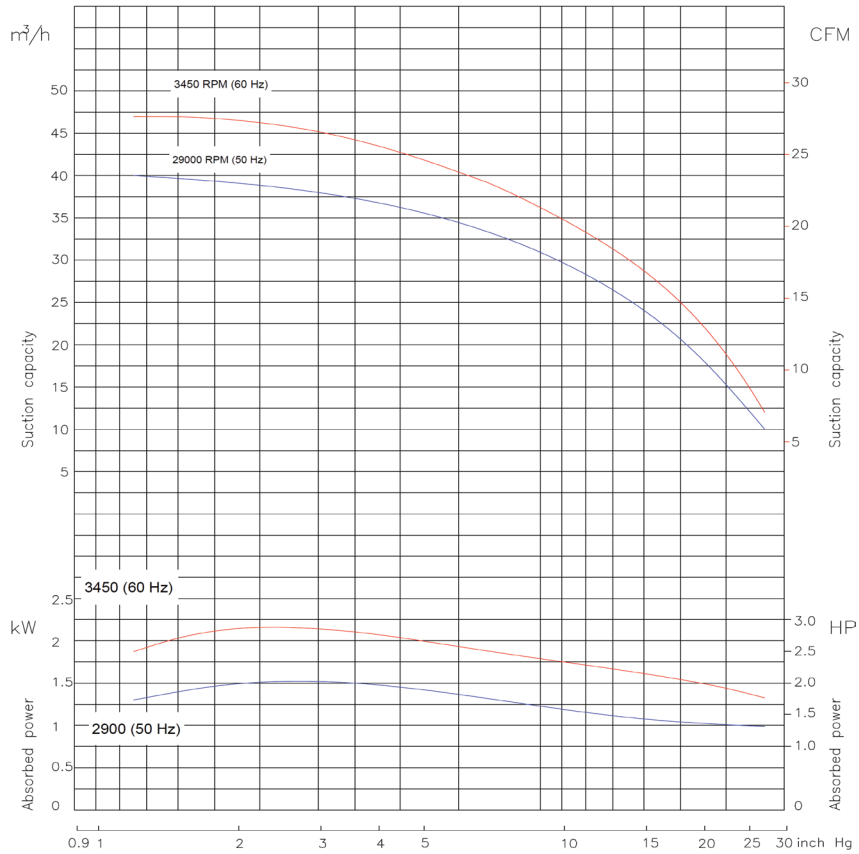
NES Company Inc.
60 Park Place/Suite 1106
Newark, NJ 07102

(800) 297-3550
www.nescompany.com
info@nescompany.com



Composite Liquid Ring Vacuum Pump

Performance Curve:



NES Company Inc.
60 Park Place/Suite 1106
Newark, NJ 07102

(800) 297-3550
www.nescompany.com
info@nescompany.com