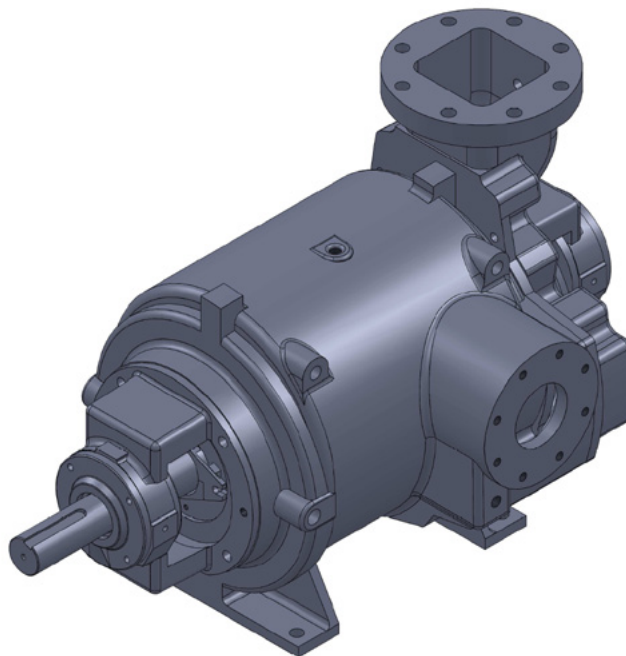


NES Company is proud to offer our single stage/single cone NC Series Liquid Ring Pumps. These new vacuum pumps have been designed from the ground-up as exact replacements for the old NASH SC series vacuum pumps. For customers looking to replace their old pump this pump is a drop-in replacement. And for those customers with multiple pumps and spare parts, all components are interchangeable with your old NASH SC series. These pumps are offered with a 3 year warranty against manufacturer's defects. Available from 115 CFM up to 1150 CFM.



#### Features:

- 100% Drop-in replacement for classic NASH SC Series.
- All components 100% interchangeable with NASH SC Series.
- 3 Year Warranty against defects.
- Standard construction is Cast Iron with 316 SS available.
- Standard seal is packaging with Mechanical seal available.
- Parts and repair kits available to fit old NASH SC series.
- Available in bare pump, direct drive or V-belt systems.

#### Materials of Construction:

- Housing & Headers - cast iron standard; 316 SS optional.
- Rotor - Cast Iron standard; 316 SS optional.
- Cone - Ductile Iron standard; 316 SS optional.
- Shaft - Cast Steel. 316 SS optional.
- Seal – Teflon Packing; mechanical seals optional.

#### Applications:

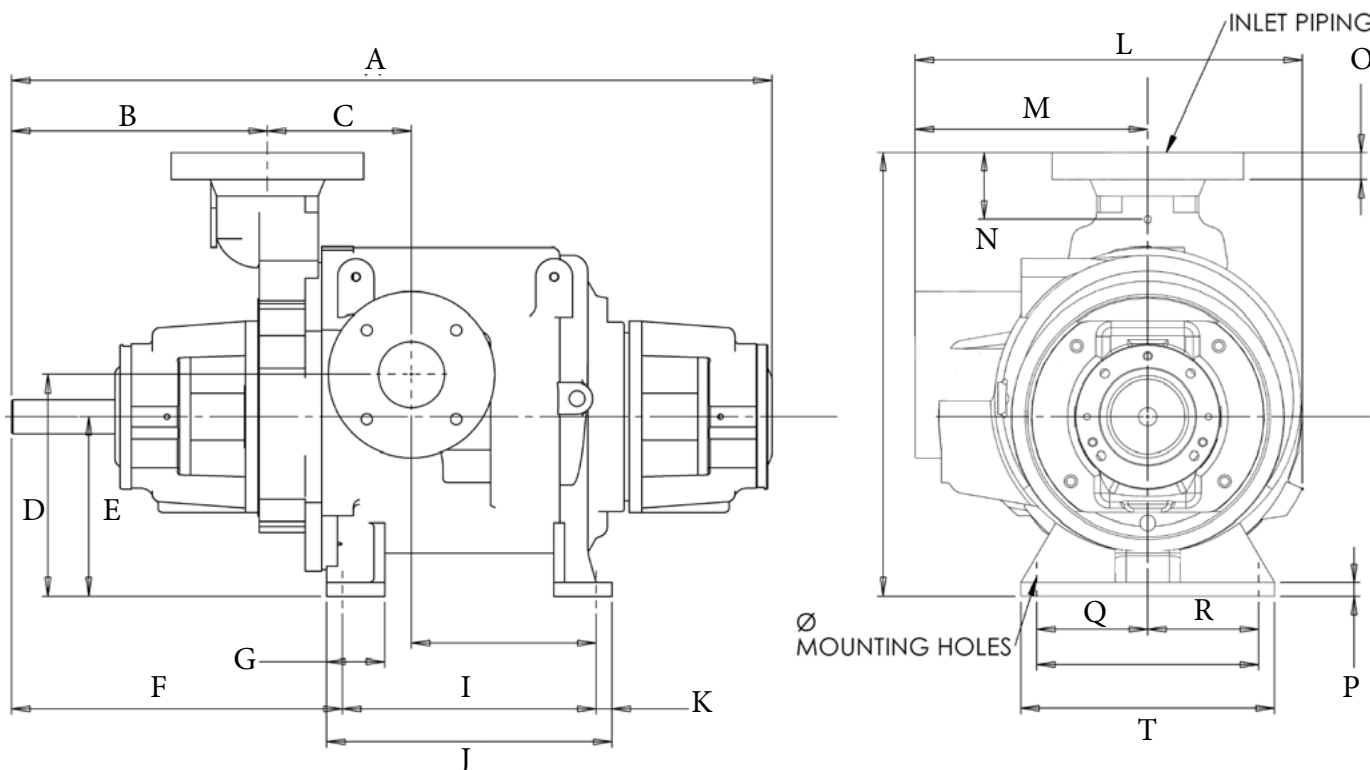
- |                |                                      |                     |
|----------------|--------------------------------------|---------------------|
| • Autoclaves   | • Chucking                           | • Container Filling |
| • Forming      | • Cooking                            | • Dearating         |
| • Drying       | • Evaporating                        | • Eviscerating      |
| • Exhausting   | • Extruder Venting                   | • Fiber Setting     |
| • Filtering    | • Forming                            | • Gas Stripping     |
| • Priming      | • Slot Extraction                    | • Solvent Recovery  |
| • Molding      | • Laboratory Central Vacuum Systems  |                     |
| • Foods & Fats | • Medical and Dental Vacuum Draining |                     |
| • Deoderizing  | • Pickup and Conveying               |                     |



# NC SERIES

Sing-Stage/Single Cone Liquid Ring Vacuum Pumps

**MODELS: NC-2 Thru NC-7 (125-1100 CFM)**



	INLET	DISC.	SHAFT	A	B	C	D	E	F	G	I	J	K	L	M	N	O	P	Q	R	T
NC-2	3" FL	2" FL	1.375	28.25	10.00	5.38	8.00	6.50	12.88	2.25	8.50	10.00	0.75	13.25	7.75	3.63	1.13	0.50	3.63	3.63	9.00
NC-3	4" FL	3" FL	1.500	35.38	12.00	6.81	10.50	8.50	15.56	2.75	12.00	13.50	0.75	17.00	10.00	4.50	1.25	0.63	5.25	5.25	12.00
NC-4	4" FL	3" FL	1.625	35.75	12.00	6.75	10.50	8.50	15.50	2.75	12.00	13.50	0.75	18.63	11.00	3.25	1.25	0.63	5.25	5.25	12.00
NC-5	4" FL	3" FL	1.625	37.88	12.00	6.75	10.50	8.50	15.50	2.75	12.00	13.50	0.75	18.63	11.00	3.25	1.25	0.63	5.25	5.25	12.00
NC-6	6" FL	4" FL	2.375	43.25	12.81	8.44	12.63	10.13	17.75	3.25	16.00	18.00	1.00	22.13	13.00	5.00	1.44	0.75	6.50	6.50	15.00
NC-7	6" FL	6" FL	3.000	49.50	15.00	9.50	16.50	13.00	21.00	5.00	17.00	21.00	2.00	27.00	15.75	6.00	1.44	1.00	7.50	7.50	18.00

**Quick Reference Tables: (Contact NES for detailed Drawings & Specifications):**

	NC-2			NC-3			NC-4			
Speed [RPM]	1450	1750	2100	1600	1450	1170	980	1170	1320	1450
Capacity [CFM] @ 25" Hg	125	157	180	356	320	260	182	317	360	397
Power [HP]	6.5	8.7	14	22.5	19.5	13.8	12	18	22	26

	NC-5			NC-6			NC-7			
Speed [RPM]	1170	1280	1450	820	1200	1450	705	795	880	930
Capacity [CFM] @ 25" Hg	422	463	528	508	625	750	850	950	1010	1065
Power [HP]	23	25	33.6	25	36	47.4	45	54.5	61.8	70