



NL SERIES

Single-Stage/Dual Cone Liquid Ring Vacuum Pumps

MODELS: NL-1000 Thru NL-3000 (800-3200 CFM)

NES Company is proud to offer our single stage/dual cone NL Series Liquid Ring Pumps. These new vacuum pumps have been designed from the ground-up as exact replacements for the old NASH CL series vacuum pumps. For customers looking to replace their old pump this pump is a drop-in replacement. And for those customers with multiple pumps and spare parts, all components are interchangeable with your existing NASH CL pumps. These pumps are offered with a 3 year warranty against manufacturer's defects. Available from 800 CFM up to 3200 CFM and vacuum levels up to 26"Hg.



Features:

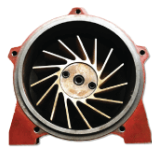
- 100% Drop-in replacement for classic NASH CL Series.
- All components 100% interchangeable with NASH CL Series.
- 3 Year Warranty against defects.
- Standard construction is Cast Iron with 304 & 316 SS available.
- Standard seal is packaging with mechanical seals available.
- Parts and repair kits available to fit old NASH CL series.
- Available in bare pump, direct drive or V-belt systems.

Materials of Construction:

- Housing & Headers - cast iron standard; 304 & 316 SS optional.
- Rotor - Cast Iron standard; 304 & 316 SS optional.
- Cone - Ductile Iron standard; 304 & 316 SS optional.
- Shaft - Cast Steel. 304 & 316 SS optional.
- Seal – Teflon Packing; mechanical seals optional.

Applications:

- | | | |
|----------------|--------------------------------------|---------------------|
| • Autoclaves | • Chucking | • Container Filling |
| • Forming | • Cooking | • Dearating |
| • Drying | • Evaporating | • Eviscerating |
| • Exhausting | • Extruder Venting | • Fiber Setting |
| • Filtering | • Forming | • Gas Stripping |
| • Priming | • Slot Extraction | • Solvent Recovery |
| • Molding | • Laboratory Central Vacuum Systems | |
| • Foods & Fats | • Medical and Dental Vacuum Draining | |

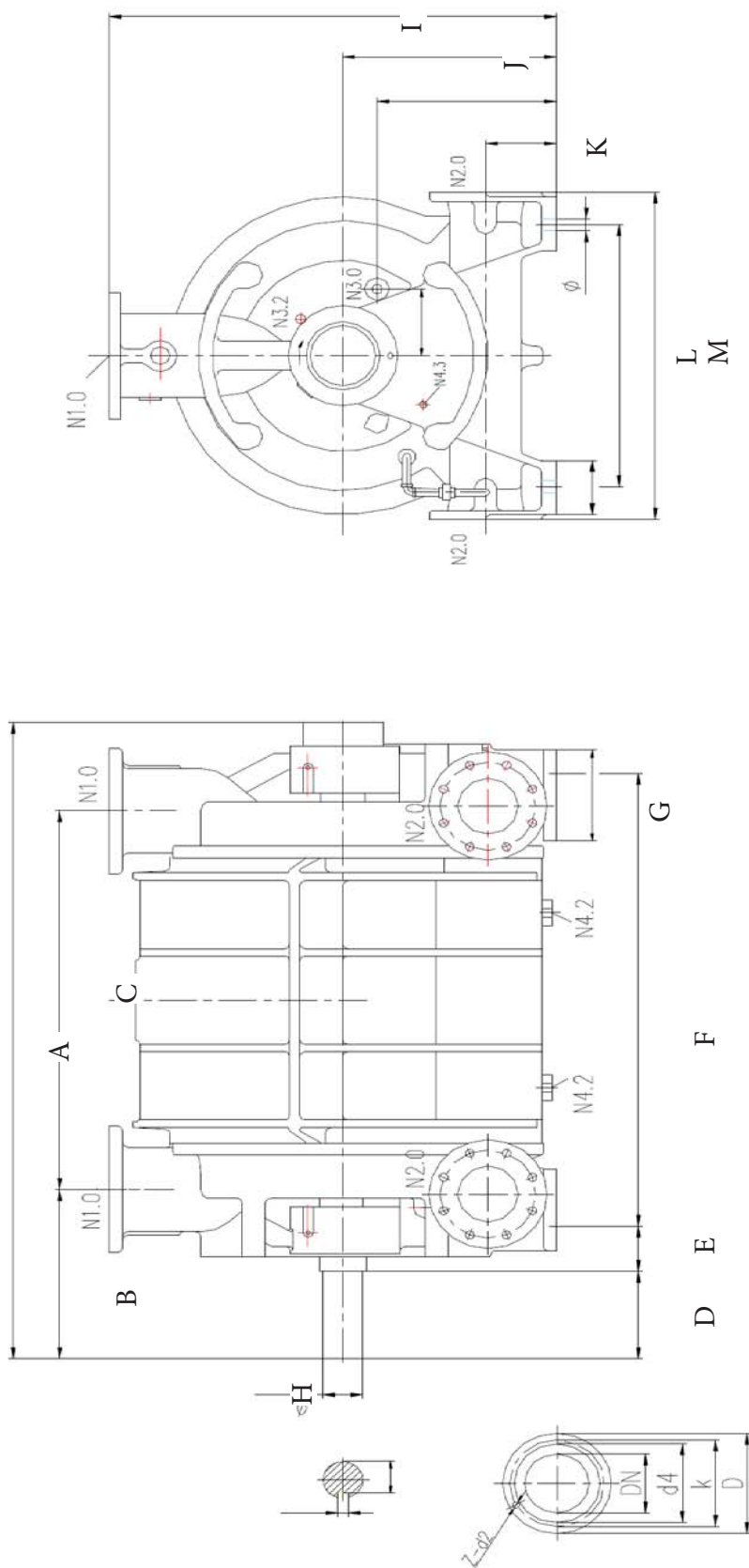


NES
COMPANY

NL SERIES

Single-Stage/Dual Cone Liquid Ring Vacuum Pumps

MODELS: NL-1000 Thru NL-3000 (800-3200 CFM)



Quick Reference Tables: (Contact NES for detailed Drawings & Specifications):

Capacity Range	HP Range	Weight	INLET	DISC.	SHAFT	A	B	C	D	E	F	G	H	I	J	K	L	M
CL-1000	725-1175	40-75	5" FL	4" FL	2.750	47.88	12.88	26.75	4.75	9.00	24.88	4.50	2.75	26.00	12.00	7.63	16.50	18.88
CL-2000	1150-2200	75-150	6" FL	5" FL	3.625	59.38	15.75	35.75	8.00	5.30	41.13	8.00	3.63	36.00	17.00	8.38	25.00	29.50
CL-3000	1400-3200	150-200	8" FL	6" FL	4.000	68.00	18.00	40.50	9.00	5.30	48.50	9.00	4.00	44.00	21.00	7.00	28.00	35.00