



# N904 Series Liquid Ring Vacuum Pumps

Description: **Single-Stage Liquid Ring Vacuum Pump**

Type: **Dual Cone**

Models: **N904-L, M, P, R, S, T**

Power Range: **125- HP**

Capacity Range: **3000-12,500 CFM**

Max Vacuum: **26" Hg**

## Overview

---

Our N904 series are designed as drop-in replacements for classic Nash\* 904 vacuum pumps. These vacuum pumps rotate at relatively slow speeds for higher reliability, less wear, and lower power consumption. The N904 is ideal for pulp & paper, geothermal power generation, and other high reliability high capacity applications. We offer the L through T versions with capacities ranging from 3,000 to 12,400 CFM.

## Features

---

- Drop-in replacement for classic Nash\* 904 & 905 series.
- Improved efficiency with lower power consumption.
- Standard construction is cast iron with packing seals.
- Optional 304 or 316 stainless steel construction.
- Optional 304 or 316 stainless steel cladding.
- Parts and repair kits readily available.
- Available as bare pump or engineered systems.
- 2 year factory warranty.

## Materials of Construction

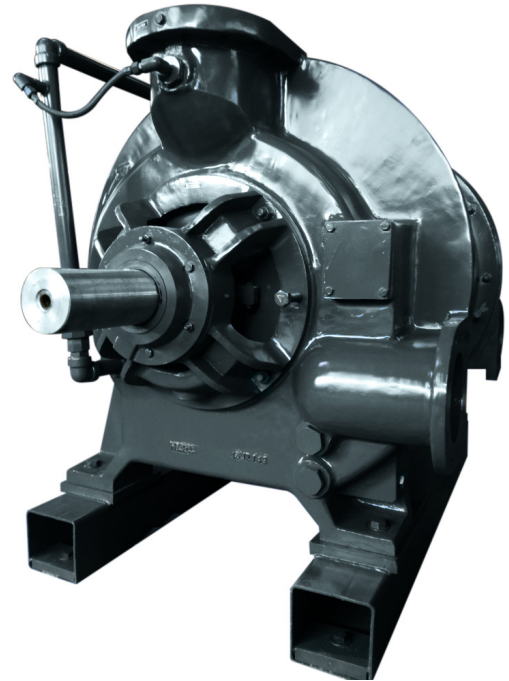
---

- Housing & Heads - Cast iron standard; 304 or 316 SS optional.
- Rotor - Cast Iron standard; 304 or 316 SS optional.
- Cones - Cast iron standard; 304 or 316 SS optional.
- Shaft - Cast steel standard; 304 or 316 SS optional.
- Seal – Teflon Packing standard; Viton mechanical seals optional.

## Applications

---

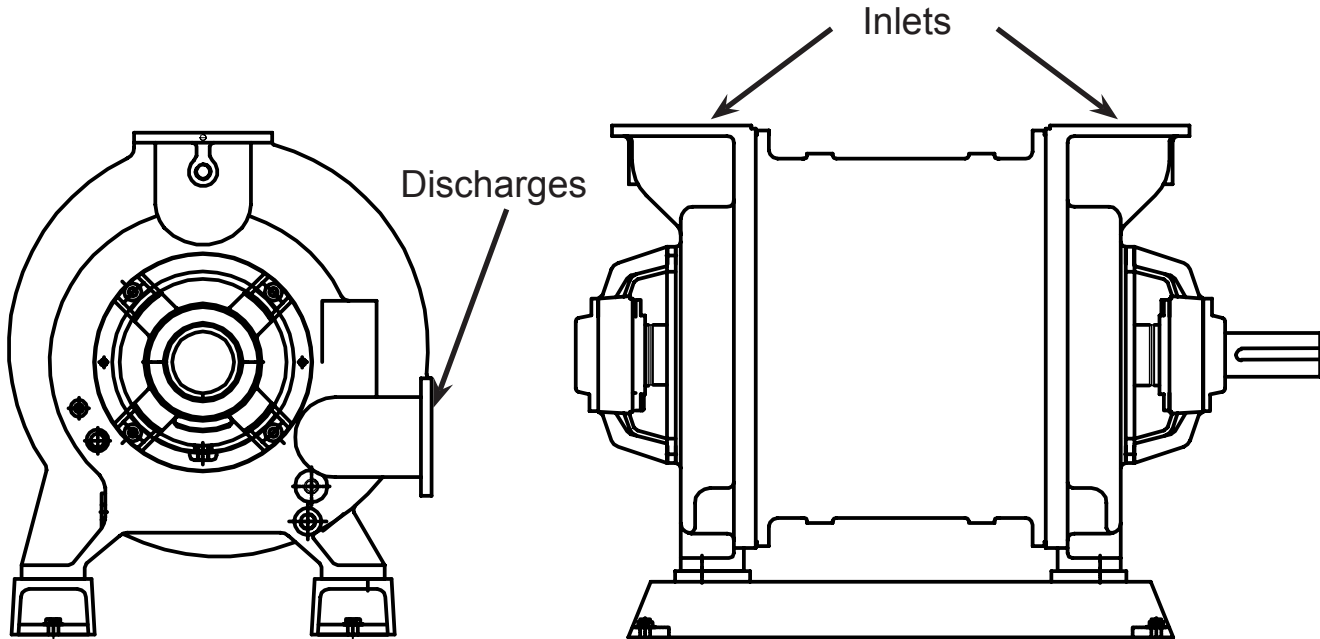
- Pulp & Paper
- Geothermal Power
- Chemical Processing





# N904 Series Liquid Ring Vacuum Pumps

Model	Capacity Range @ 15" [CFM]	Motor Power [HP]	Max. Operating Vacuum ["Hg]	Inlet [in]	Disch. [in]	Seal Water Usage [GPM]	Seal Water Size [in]
N904-L1	2650-4950	100-250	20" Hg	10 FL	8 FL	24-32	1.5 NPT
N904-L2	2800-4950	125-300	26" Hg	10 FL	8 FL	32-48	1.5 NPT
N904-M1	3600-1175	125-325	20" Hg	10 FL	8 FL	28-38	1.5 NPT
N904-M2	3600-6000	150-325	26" Hg	10 FL	8 FL	40-72	1.5 NPT
N904-P1	4200-7800	150-400	20" Hg	12 FL	10 FL	35-42	2 NPT
N904-P2	4700-7800	150-400	24.5" Hg	12 FL	10 FL	53-70	2 NPT
N904-R1	5200-9000	175-475	20" Hg	14 FL	12 FL	45-53	2 NPT
N904-R2	5600-9450	200-500	24.5" Hg	14 FL	12 FL	60-80	2 NPT
N904-S1	6000-11000	200-600	20" Hg	14 FL	12 FL	55-65	2 NPT
N904-S2	6600-11400	250-600	24.5" Hg	14 FL	12 FL	75-100	2 NPT
N904-T1	6800-12200	250-650	19" Hg	14 FL	12 FL	60-72	2 NPT
N904-T2	7800-12400	300-700	24.5" Hg	14 FL	12 FL	85-115	2 NPT



**QUAD OUTLET N904 L THRU T LAYOUTS**  
See pump drawing for more details & dimensions

\*Nash is a registered trade mark of Gardner Denver Nash. NES Company Inc. has no affiliation with Nash, Nash Engineering or Gardner Denver Nash. The information contain herein is provided as a convenience and for informational purposes only. Performance data are subject to manufacturing variation and test conditions including but not limited to atmospheric pressure, ambient temperature, seal fluid temperature, tolerances, and materials of construction. Performance of pumps constructed fully or partially of stainless steel may be lower due to larger clearance settings. This information may contain inaccuracies, errors or omissions. All NES Company Inc. supplied products and recommendations or suggestions must be evaluated by the end user to determine applicability and suitability for any particular use. See NES Company Inc. terms & conditions of sale for additional details which may also apply.

NES Company Inc.  
60 Park Place/Suite 1105  
Newark, NJ 07102

(800) 297-3550  
www.nescompany.com  
info@nescompany.com