



NAT Series Liquid Ring Vacuum Pumps

Description: **Two-Stage Liquid Ring Vacuum Pump**

Type: **Conical, Dual Cone**

Models: **NAT-1004, NAT-2004, NAT-3004**

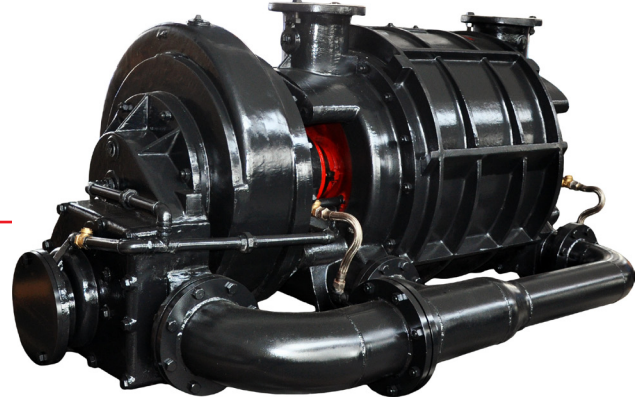
Power Range: **75-200 HP**

Capacity Range: **1000-3000 CFM**

Max Vacuum: **28.5" Hg**

Overview

Our NAT series is the ideal choice for power plants and other customers needing to replace or upgrade their classic Nash* two stage AT liquid ring vacuum pump. These new pumps have been designed to be drop in replacements for the classic Nash* AT series pumps. NES pumps are factory performance tested and include a 2 year warranty.



Features

- Drop-in replacement for classic Nash* AT series.
- Standard construction is cast iron with teflon packing.
- Optional 304 or 316 stainless steel construction.
- Optional factory installed mechanical seals.
- Parts and repair kits available to fit Nash* AT series.
- Available in bare pump, direct drive or V-belt systems.
- 2 year factory warranty.

Materials of Construction

- Housing & Heads - Cast iron standard; 304 or 316 SS optional.
- Rotor - Ductile iron standard; 304 or 316 SS optional.
- Cones - Cast iron standard; 304 or 316 SS optional.
- Shaft - Cast steel standard; 304 or 316 SS optional.
- Seal – Teflon packing; mechanical seals optional.

Applications

- Power plants
- Exhaust condensers
- Drying
- Exhausting
- Filtering

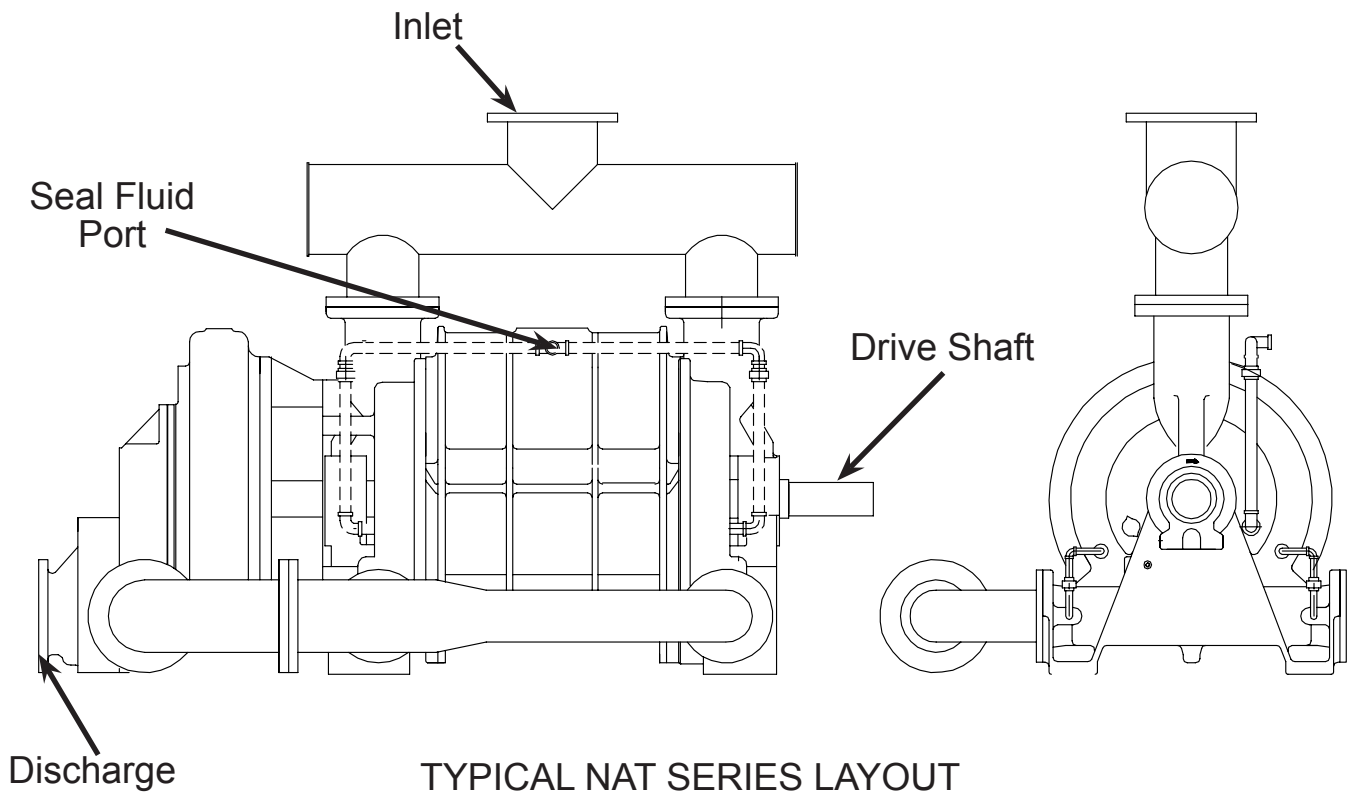
NES Company Inc.
60 Park Place/Suite 1106
Newark, NJ 07102

(800) 297-3550
www.nescompany.com
info@nescompany.com



NAT Series Liquid Ring Vacuum Pumps

Model	Max Vacuum [“Hg]	Speed [RPM]	Capacity [CFM]	Motor Power [HP]	Inlet [in]	Disch. [in]	Seal Water Usage [GPM]	Seal Water Size [in]	Pump Weight Dry [lbs.]
NAT-1004	28.5	770	880	60	2 X 5 FL	2 X 4 FL	30	1 NPT	1550
		820	1000	60					
		880	1100	75					
NAT-2004	28.5	500	1500	100	2 X 6 FL	2 X 5 FL	60	1 NPT	3550
		550	1600	125					
		590	1750	150					
NAT-3004	28.5	400	2236	150	2 X 8 FL	2 X 6 FL	70	1 NPT	6850
		450	2590	175					
		500	2766	200					



TYPICAL NAT SERIES LAYOUT
See pump drawing for more details & dimensions

*Nash is a registered trade mark of Gardner Denver Nash. NES Company Inc. has no affiliation with Nash, Nash Engineering or Gardner Denver Nash. The information contain herein is provided as a convenience and for informational purposes only. Performance data are subject to manufacturing variation and test conditions including but not limited to atmospheric pressure, ambient temperature, seal fluid temperature, tolerances, and materials of construction. Performance of pumps constructed fully or partially of stainless steel may be lower due to larger clearance settings. This information may contain inaccuracies, errors or omissions. All NES Company Inc. supplied products and recommendations or suggestions must be evaluated by the end user to determine applicability and suitability for any particular use. See NES Company Inc. terms & conditions of sale for additional details which may also apply.

NES Company Inc.
60 Park Place/Suite 1106
Newark, NJ 07102

(800) 297-3550
www.nescompany.com
info@nescompany.com

NAT Series Liquid Ring Vacuum Pumps

© 2013-14 NES Company Inc.
Rev: 1014.1
All rights reserved