



# NC Series Liquid Ring Vacuum Pumps

Description: **Single-Stage Liquid Ring Vacuum Pump**

Type: **Conical, Single Cone**

Models: **NC-2, 3, 4, 5, 6, 7**

Power Range: **7.5-75 HP**

Capacity Range: **125-1150 CFM**

Max Vacuum: **28" Hg**

## Overview

---

NES Company is proud to offer our single stage/single cone NC series liquid ring vacuum pumps. These new pumps have been designed to be drop-in replacements for classic Nash\* SC series pumps. NES pumps are factory performance tested and include a 2 year warranty.



## Features

---

- Drop-in replacement for classic Nash\* SC series.
- Standard construction is cast iron with teflon packing.
- Optional 304 or 316 stainless steel construction.
- Optional factory installed mechanical seals.
- Parts and repair kits available to fit Nash\* SC series.
- Available in bare pump, direct drive or V-belt systems.
- 2 year factory warranty.

## Materials of Construction

---

- Housing & Heads - Cast iron standard; 304 or 316 SS optional.
- Rotor - Ductile iron standard; 304 or 316 SS optional.
- Cone - Cast iron standard; 304 or 316 SS optional.
- Shaft - Cast steel standard; 304 or 316 SS optional.
- Seal – Teflon packing; mechanical seals optional.

## Applications

---

- |              |                          |                     |
|--------------|--------------------------|---------------------|
| • Autoclaves | • Chucking               | • Container Filling |
| • Forming    | • Cooking                | • Deaerating        |
| • Drying     | • Evaporating            | • Eviscerating      |
| • Exhausting | • Extruder Venting       | • Fiber Setting     |
| • Filtering  | • Forming                | • Gas Stripping     |
| • Priming    | • Slot Extraction        | • Solvent Recovery  |
| • Molding    | • Central Vacuum Systems | • Foods & Fats      |

NES Company Inc.  
60 Park Place/Suite 1106  
Newark, NJ 07102

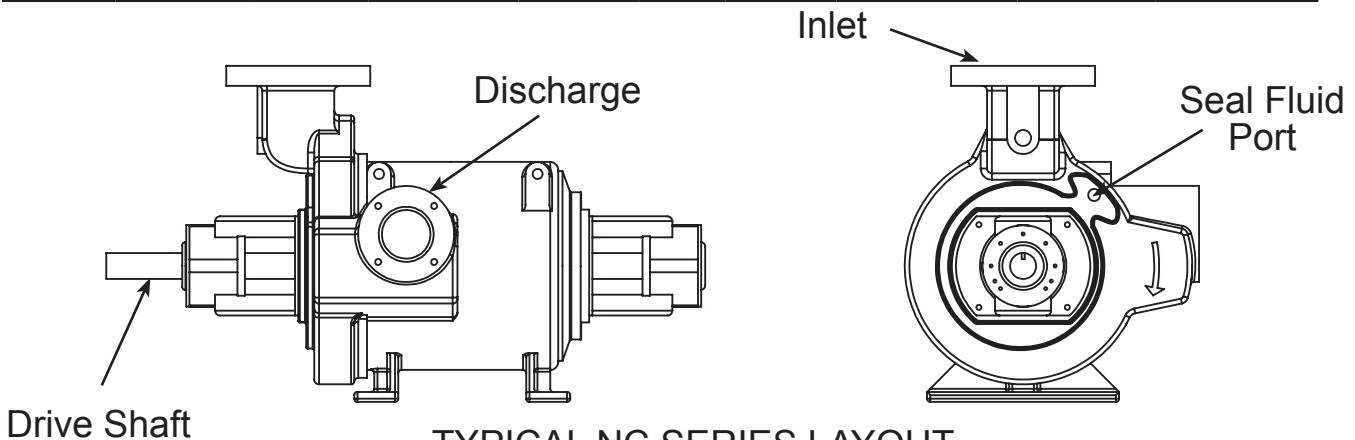
(800) 297-3550  
www.nescompany.com  
info@nescompany.com



# NC Series Liquid Ring Vacuum Pumps

NC Series Liquid Ring Vacuum Pumps

Model	Max Vacuum [“Hg]	Speed [RPM]	Capacity [CFM] @ 22” Hg	Motor Power [HP]	Inlet [in]	Disch. [in]	Seal Water Usage [GPM]	Seal Water Size [in]	Pump Weight Dry [lbs.]
NC-2	28	1450	125	7.5	3 FL	2 FL	1.5	1/2 NPT	245
		1750	165	10			1.5		
		2100	190	15			3.0		
NC-3	28	980	200	15	4 FL	3 FL	4.0	3/4 NPT	455
		1170	260	15			4.0		
		1450	330	20			4.0		
		1600	360	25			8.0		
NC-4	28	1170	340	20	4 FL	3 FL	5-10	3/4 NPT	470
		1320	380	25					
		1450	415	30					
NC-5	28	1170	440	25	4 FL	3 FL	5-10	3/4 NPT	535
		1280	490	30					
		1450	550	40					
NC-6	28	820	500	30	6 FL	4 FL	7-14	1.0 NPT	920
		980	650	40					
		1170	775	50					
NC-7	28	705	900	50	6 FL	6 FL	12-18	1.0 NPT	1450
		795	1000	60					
		880	1100	65					
		930	1150	75					



**TYPICAL NC SERIES LAYOUT**  
See pump drawing for more details & dimensions

\*Nash is a registered trade mark of Gardner Denver Nash. NES Company Inc. has no affiliation with Nash, Nash Engineering or Gardner Denver Nash. The information contain herein is provided as a convenience and for informational purposes only. Performance data are subject to manufacturing variation and test conditions including but not limited to atmospheric pressure, ambient temperature, seal fluid temperature, tolerances, and materials of construction. Performance of pumps constructed fully or partially of stainless steel may be lower due to larger clearance settings. This information may contain inaccuracies, errors or omissions. All NES Company Inc. supplied products and recommendations or suggestions must be evaluated by the end user to determine applicability and suitability for any particular use. See NES Company Inc. terms & conditions of sale for additional details which may also apply.

NES Company Inc.  
60 Park Place/Suite 1106  
Newark, NJ 07102

(800) 297-3550  
www.nescompany.com  
info@nescompany.com

© 2013-14 NES Company Inc.  
All rights reserved  
Rev: 1014.1